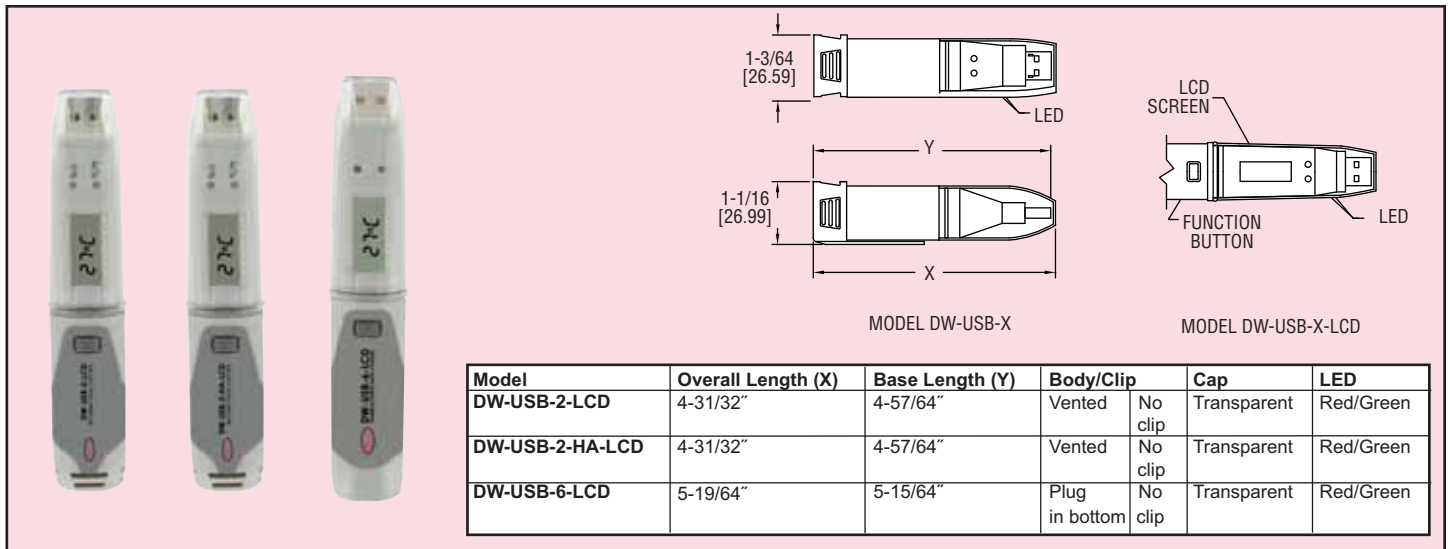




Series  
DW-USB-  
LCD

# Compact USB Data Logger With Display

Integral LCD Display, LED Status Indication



Model	Overall Length (X)	Base Length (Y)	Body/Clip	Cap	LED
DW-USB-2-LCD	4-31/32"	4-57/64"	Vented No clip	Transparent	Red/Green
DW-USB-2-HA-LCD	4-31/32"	4-57/64"	Vented No clip	Transparent	Red/Green
DW-USB-6-LCD	5-19/64"	5-15/64"	Plug in bottom	Transparent	Red/Green

The Portable Series DW-USB-LCD USB Data Loggers displays and records temperature, humidity and dew point. The easy-to-read LCD display shows the current temperature or humidity along with the minimum and maximum reading since last reset. For applications that require more accuracy, a high accuracy temperature and humidity model is available. Thermocouple models can accept any J, K, or T type thermocouple with a mini-plug connector. Series DW-USB-LCD data loggers include a Windows® based software which allows selection of the sampling rate, start time, high/low alarm settings, and temperature unit application. For quick downloading of data, the data logger can be plugged directly into a PC's USB port with no cable required. Downloaded data can then be graphed, printed, or exported to other spreadsheet applications.

**Model DW-USB-2-LCD**, Temperature, humidity, and dew point USB data logger with display

**Model DW-USB-2-HA-LCD**, High accuracy temperature, humidity, and dew point USB data logger with display

**Model DW-USB-6-LCD**, Thermocouple USB data logger with display

## ACCESSORIES

- 1818-0074, Immersion temperature probe
- 1818-0078, Penetration temperature probe
- 1818-0082, Surface temperature probe
- 1818-0085, Air duct temperature probe
- 1718-0077, Remote temperature probe handle

## SPECIFICATIONS

### Range:

DW-USB-2-LCD: Temperature: -31 to 176° F (-35 to 80°C);

Humidity: 0 to 100% RH;

DW-USB-2-HA-LCD: Temperature: -31 to 176° F (-35 to 80°C);

Humidity: 0 to 100% RH;

DW-USB-6-LCD: K-type: -328 to 2372°F (-200 to 1300°C), J-type: -202 to 1652°F (-130 to 900°C), T-type: -328 to 662°F (-200 to 350°C).

### Accuracy:

DW-USB-2-LCD: Temperature ±1°F (±0.5°C) Humidity ±3.0%;

DW-USB-2-HA-LCD: Temperature ±0.6°F (±0.3°C), Humidity ±2.0%;

DW-USB-6-LCD: ±2°F (±1°C).

**Resolution:** Temperature: 1°F (0.5°C); Humidity: 0.5% RH.

**Memory Size:** Thermocouple models: 32510 readings;

Temperature/humidity models: 16382 readings.

**Sampling Mode:** Continuous with data rollover.

**Sampling Rate:** Selectable from 10 seconds to 12 hours for temperature/humidity models; 1 second to 12 hours for thermocouple models.

**Display:** 2.5 digit LCD.

**Computer Requirements:** Windows® 2000, Windows® XP, Windows® 7, Windows VISTA® 32-bit or 64-bit operating systems.

**Power Requirements:** 3.6 1/2 AA battery (included).

**Housing:** ABS plastic blend.

**Alarms:** Programmable high/low.

**Interface:** USB port.

**Weight:** Temperature/humidity models 1.6 oz (45.4 g); Thermocouple models 1.8 oz (51 g).

**Agency Approval:** CE, RoHS.

Windows® and Windows Vista® are registered trademarks of Microsoft Corporation.