

2 7/8"
(73 mm)

2 3/8"
(60 mm)

PTFE LINED SIGHT FLOW INDICATORS

Series FIF/PTFE Lined and LIF/PTFE Lined

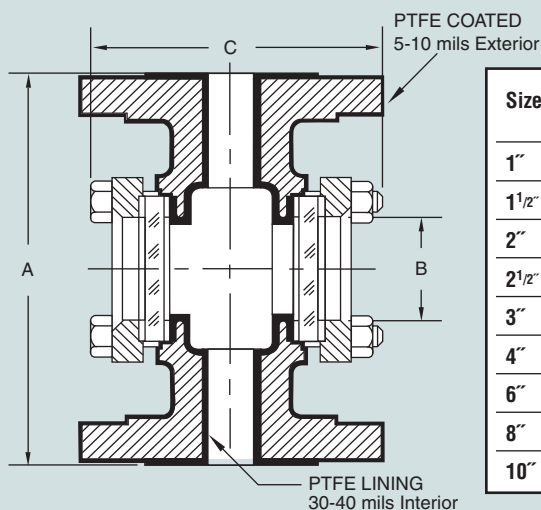


PTFE LINED SIGHT FLOW INDICATORS

PTFE lined sight flow indicators have been designed for visually observing the flow of corrosive media. Except for the borosilicate glass, all wetted parts of the indicators are lined with PTFE. These units are ideal for viewing such corrosive fluids as acids, chlorides, sulfates, bleach solutions, solvents, and phenols. Each model can be provided with drip tubes. The Series FIF-PTFE lined is also available with flutter flow indicators. PTFE lined sight flow indicators are drilled to mate with ANSI Class 125/150 connections.

FEATURES

- Inert to a wide range of corrosive chemicals
- Eliminates need for using expensive, exotic alloys
- Can be used up to 500°F (260°C)
- Series FIF-PTFE lined available in 1" to 10" pipe size
- Series LIF/PTFE lined available in 1/2" to 6" pipe size

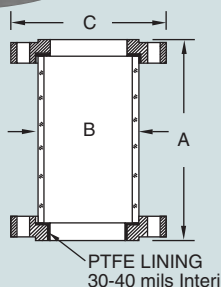
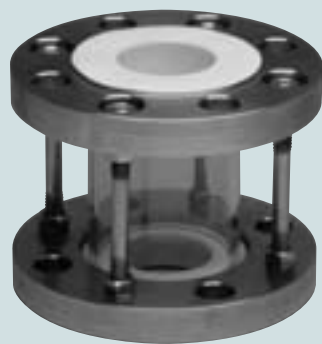


SERIES FIF/PTFE LINED

Size	A		B		C		APPROX. WEIGHT	
	Inches	MM	Inches	MM	Inches	MM	LBS	KGS
1"	5 ³ / ₄	146	1 ¹ / ₈	29	4 ¹ / ₄	108	6	3
1 ¹ / ₂ "	6 ⁵ / ₈	168	1 ³ / ₄	44	5 ⁷ / ₈	149	12	5
2"	8	203	2 ¹ / ₄	57	6 ⁷ / ₈	175	18	8
2 ¹ / ₂ "	9 ¹ / ₂	241	3 ¹ / ₄	83	8 ¹⁵ / ₁₆	227	44	20
3"	9 ¹ / ₂	241	3 ¹ / ₄	83	8 ¹⁵ / ₁₆	227	44	20
4"	11 ¹ / ₈	283	4 ¹ / ₄	108	10 ¹ / ₂	267	67	30
6"	14 ³ / ₈	365	6 ⁷ / ₈	175	13 ³ / ₄	349	120	55
8"	16 ¹ / ₄	413	4	102	15 ⁵ / ₈	397	230	105
10"	24 ⁷ / ₈	632	6	152	21 ³ / ₄	552	405	184

SERIES LIF/PTFE LINED

Size	A*		B		C		APPROX. WEIGHT		PRESSURE RATING**	
	Inches	MM	Inches	MM	Inches	MM	LBS	KGS	PSIG	BARG
1/2"	3 ⁷ / ₈	98	1 ¹ / ₄	32	3 ¹ / ₂	89	3 ¹ / ₂	2	150	10.3
3/4"	3 ⁷ / ₈	98	1 ¹ / ₂	38	3 ⁷ / ₈	98	4	2	150	10.3
1"	4	102	1 ³ / ₄	44	4 ¹ / ₄	108	5	2	150	10.3
1 ¹ / ₂ "	4	102	2 ¹ / ₂	64	5	127	6	3	120	8.3
2"	4 ³ / ₄	121	3	76	6	152	11 ¹ / ₂	5	100	6.9
2 ¹ / ₂ "	5 ³ / ₈	137	3 ¹ / ₂	89	7	178	15	7	85	5.9
3"	5 ³ / ₈	137	4	102	7 ¹ / ₂	191	19	9	100	6.9
4"	7 ¹ / ₂	191	5	127	9	229	22	10	70	4.8
6"	10 ¹ / ₄	260	7	178	11	279	56	25	45	3.1



*With drip tube indicator:

For 1 to 3 inch units add 1/8" to A dimension.

For 4 to 10 inch units add 3/16" to A dimension.

**Extra heavy wall cylinders available for higher pressure ratings.

SIGHT FLOW INDICATORS