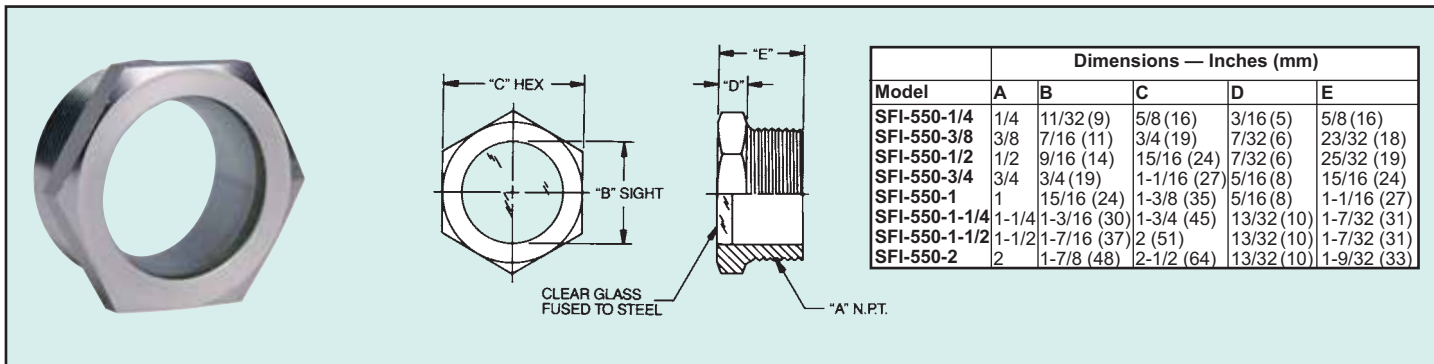




Series
550

Sight Window

Shows Level or Contents of Tanks, Pipelines; Fused Glass and Steel Construction



Model	Dimensions — Inches (mm)				
	A	B	C	D	E
SFI-550-1/4	1/4	11/32 (9)	5/8 (16)	3/16 (5)	5/8 (16)
SFI-550-3/8	3/8	7/16 (11)	3/4 (19)	7/32 (6)	23/32 (18)
SFI-550-1/2	1/2	9/16 (14)	15/16 (24)	7/32 (6)	25/32 (19)
SFI-550-3/4	3/4	3/4 (19)	1-1/16 (27)	5/16 (8)	15/16 (24)
SFI-550-1	1	15/16 (24)	1-3/8 (35)	5/16 (8)	1-1/16 (27)
SFI-550-1-1/4	1-1/4	1-3/16 (30)	1-3/4 (45)	13/32 (10)	1-7/32 (31)
SFI-550-1-1/2	1-1/2	1-7/16 (37)	2 (51)	13/32 (10)	1-7/32 (31)
SFI-550-2	2	1-7/8 (48)	2-1/2 (64)	13/32 (10)	1-9/32 (33)

Fused glass style sight windows feature glass to metal bond for utmost reliability. Plated steel bodies have convenient hex wrench surfaces. Connections are standard NPT in sizes from 1/4" to 2". Windows are clear, ripple free, and flush with the front face, having no recess on which dirt might collect.

SPECIFICATIONS

Service: Compatible gases and liquids.

Wetted Materials:

Window: Glass.

Body: Plated steel.

Temperature Limit: 200°F (93°C).

Pressure Limit: 125 psig (8.6 bar).

Connections: 1/4" to 2" male NPT.

Model	Model
SFI-550-1/4	SFI-550-1
SFI-550-3/8	SFI-550-1-1/4
SFI-550-1/2	SFI-550-1-1/2
SFI-550-3/4	SFI-550-2

APPLICATIONS

- Hydraulic Tanks
- Pressure Vessels
- Coolant Tanks
- Hydraulic Lines
- Oil Reservoirs