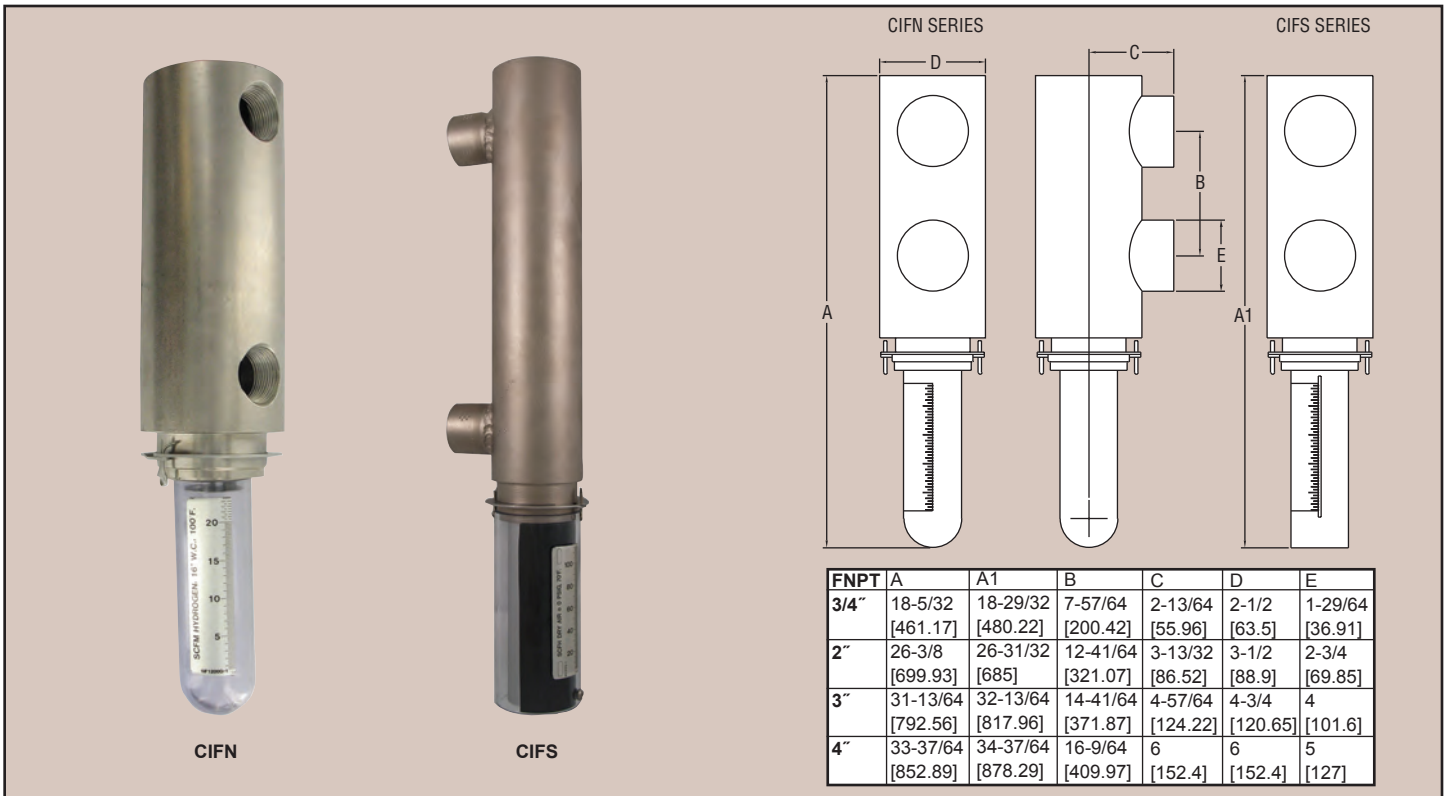




Series
CIF

Combustion Flowmeter

For Low Pressure Gas Flow



FNPT	A	A1	B	C	D	E
3/4"	18-5/32 [461.17]	18-29/32 [480.22]	7-57/64 [200.42]	2-13/64 [55.96]	2-1/2 [63.5]	1-29/64 [36.91]
2"	26-3/8 [699.93]	26-31/32 [685]	12-41/64 [321.07]	3-13/32 [86.52]	3-1/2 [88.9]	2-3/4 [69.85]
3"	31-13/64 [792.56]	32-13/64 [817.96]	14-41/64 [371.87]	4-57/64 [124.22]	4-3/4 [120.65]	4 [101.6]
4"	33-37/64 [852.89]	34-37/64 [878.29]	16-9/64 [409.97]	6 [152.4]	6 [152.4]	5 [127]

The Series CIF Combustion Flowmeters are tough, simple and accurate meters for low pressure, low-density gas measurement. They have a verifiable accuracy of $\pm 2\%$ for combustion gases, annealing atmospheres, vacuum flows, digesters and gas mixing. They can be disassembled quickly without the meter being removed from the pipeline for easy cleaning. Series CIF Combustion Flowmeters are extremely robust constructed of nickel plated steel or optional stainless steel with maximum pressure ratings of 150 psig (10.34 bar) and temperature ratings of 600°F (315°C).

Series	CIFN CIFS		Ni Plated Steel Body All SS
Range Code		-XX	See Range/ Connection Chart (add Range code to Series designator for model number)

* For optional 3" and 4" connections ranging up to 30,000 SCFH, flange connections, and metric scales (liters/minute), contact the factory.

Available Ranges

Range Code	Range	Connection (NPT)	Range Code	Range	Connection (NPT)
-00	0.8-20.0 SCFH Air	3/4"	-11	20-500 SCFH Air	2"
-01	1.0-30.0 SCFH Air	3/4"	-12	30-750 SCFH Air	2"
-02	2.0-50.0 SCFH Air	3/4"	-13	40-1000 SCFH Air	2"
-03	3.0-75.0 SCFH Air	3/4"	-14	50-1200 SCFH Air	2"
-04	4.0-100 SCFH Air	3/4"	-15	60-1500 SCFH Air	2"
-05	6.0-150 SCFH Air	3/4"	-16	80-2000 SCFH Air	2"
-06	10-250 SCFH Air	3/4"	-17	100-2500 SCFH Air	2"
-07	10-350 SCFH Air	3/4"	-18	120-3000 SCFH Air	2"
-08	20-500 SCFH Air	3/4"	-19	160-4000 SCFH Air	2"
-09	30-750 SCFH Air	3/4"	-20	200-5000 SCFH Air	2"
-10	40-1000 SCFH Air	3/4"			

SPECIFICATIONS

Service: Compatible gases.

Wetted Materials: CIFN: Nickel plated steel body, 18-8 SS, Buna-N O-rings, polysulfone sight tube; CIFS: 18-8 SS, Buna-N O-rings, 18-8 SS sight tube.

Temperature Limits: 600°F (315°C).

Pressure Limits: 150 psig (10 bar).

Maximum Pressure Drop: 2 in w.c. (500 Pa).

Accuracy: $\pm 2\%$ of reading for dry air at 14.7 psig (1 bar), 70°F (21°C).

Repeatability: $\pm 1/4\%$ of indicated flow rate.

Process Connections: 3/4" and 2" female NPT, optional 3" and 4" female NPT.

Weight: 8 lb (6.4 kg) for 3/4" and 25 lb (11.4 kg) for 2".

FLOW

Flowmeters, In-Line