

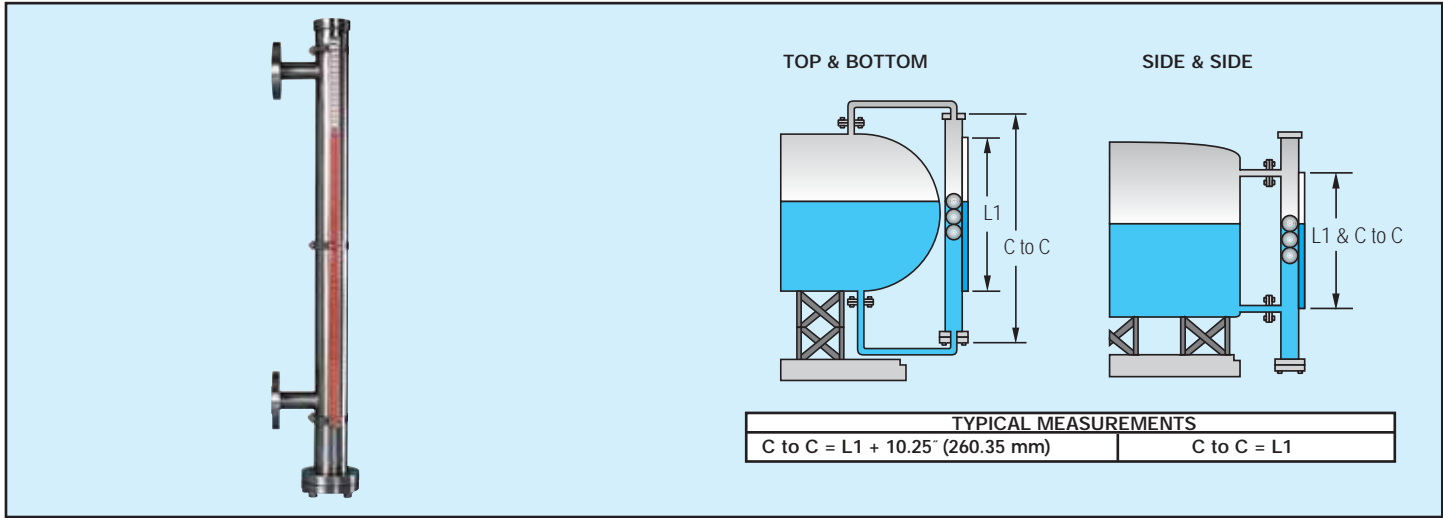


Series  
VR

# View-Rite Level Indicator

Customized to Fit Any Application, Durable, 316 SS Housing and Float

Level



Customize level indicators to meet application requirements. View-rite level indicators are low maintenance, environmentally friendly, durable, and require no external power. Specify any indication length up to 96 inches (244 cm). View-Rite level indicators incorporate a pressure tight housing with internal float that magnetically activates external level indication flags, switches, or transmitter.

Models are built to your specifications

## SPECIFICATIONS

**Service:** Clean, low-viscosity liquids.

**Pressure Limits:** 275 psi (18.9 bar), 225 psi (15.5 bar) @ 100°F (37.8°C), 215 psi (14.8 bar) @ 300°F (148.9°C), 195 psi (13.4 bar) @ 400°F (204.4°C).

**Tube Diameter:** 2-1/2" (64 mm).

## OPTIONAL SWITCH MODULES

Clamp onto the level indicator. SPST, rated .17A @ 120 VAC, .08A @ 240 VAC, .13A @ 120 VDC, .06A @ 240 VDC.

**VR-S1,** Maximum temperature is 300°F (148.9°C).

Polysulfone with 1/4" female NPT conduit connection

**VR-S2,** Maximum temperature is 750°F (399°C). 316 SS with 1/2" male NPT conduit connection.

**VR-S3,** Maximum temperature is 750°F (399°C).

Explosion-proof terminal box with 1/2" female NPT conduit connection.

Example	VR	S	SS	1	TP	D	0.8	150	090	80	P	1	I	VR-SSS1-TPD-0.8-150-090-80P1-I
Construction	VR													View-Rite Level Indicator
WETTED Materials		S												316 L SS, Fluoroelastomer O-ring
Configuration			TB SS											Top/Bottom Connections Side/Side Connections
Process Connection				1 2 4 5										1/2" NPT (Female on TB, and Male on SS Configuration) 1" NPT (Female on TB, and Male on SS Configuration) 1" 150# RF Flange 2" 150# RF Flange
Float Access					TP BM TB									Top Bottom Top and Bottom (Only with SS Configuration)
Drain and Vent						N D V B								None Drain, 1/2" female NPT (Only with SS Configuration) Vent, 1/2" female NPT (Only with SS Configuration) Drain and Vent (Only with SS Configuration)
Spec. Gravity							0.0							Specific Gravity of fluid, minimum 0.8
Operating Pressure								000						Operating Pressure, in psi. Maximum is 275 psi (18.9 bar)
Operating Temp.									000					Operating Temperature of the fluid, in °F. Maximum is 400°F (20°C)
Indicating Length, L1										00				Length of level indicator, in whole inches. Maximum of 96" (2.44 m)
Indicating Flags											P A			Plastic, white and orange [300°F (149°C) maximum] Aluminum, silver and black
Visual Indicating Scale												N 1 2		None Feet and Inches Inches Only
Output Options													I V	4 to 20 mA transmitter of level [300°F (149°) maximum] 0 to 5 VDC transmitter of level