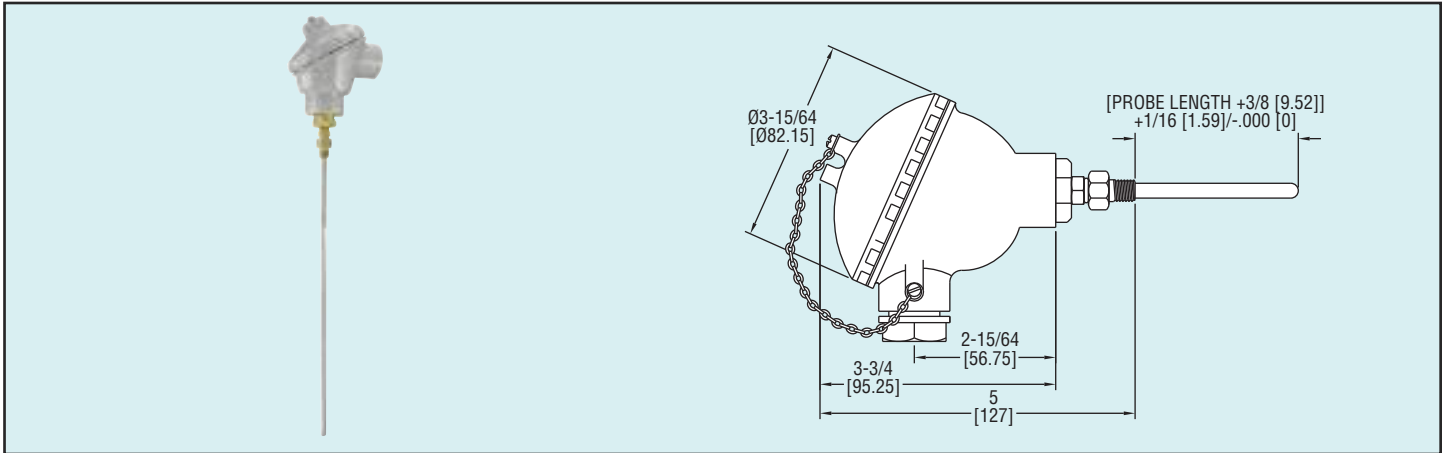




Series  
TTW

# Weatherproof Immersion Temperature Transmitter

Pt100 RTD, PC Programmable Transmitter



The Series TTW Immersion Temperature Transmitter combines three popular products into a single package. Our TBU series head mounted temperature transmitter is factory mounted into our A-709 enclosure. A Pt100 RTD version of our TE series is wired to the transmitter, giving insertion lengths up to 18". Each transmitter is factory programmed and calibrated to output a 4 to 20 mA signal proportional to the 32 to 212°F (0 to 100°C) temperature range.

Model	Probe Length
TTW-104	4"
TTW-106	6"
TTW-108	8"
TTW-112	12"
TTW-118	18"

#### Thermowells

Model	Length	Connection (Internal/ External) (NPT)
TE-TNS-N044N-14	4"	1/4" / 1/2"
TE-TNS-N064N-14	6"	1/4" / 1/2"
TE-TNS-N094N-14	9"	1/4" / 1/2"
TE-TNS-N124N-14	12"	1/4" / 1/2"

#### ACCESSORY

TBV-90, Programming Cable and Software

#### SPECIFICATIONS

##### Temperature Sensor

**Accuracy:** DIN Class B:  $\pm 0.3^{\circ}\text{C}$  @  $0^{\circ}\text{C}$  ( $\pm 0.54^{\circ}\text{F}$  @  $32^{\circ}\text{F}$ ).

**Temperature Limits:** Operating:  $-40$  to  $302^{\circ}\text{F}$  ( $-40$  to  $150^{\circ}\text{C}$ ).

**Sensor Curves:** Pt100 RTD (TE Series Curve D).

##### Temperature Transmitter

**Input Range:**  $-328$  to  $986^{\circ}\text{F}$  ( $-200$  to  $530^{\circ}\text{C}$ ).

**Output:** Two-wire 4 to 20 mA.

**Output Impedance:**  $600\ \Omega$  @ 24 VDC.

**Power Requirements:** 12 to 35 VDC.

**Accuracy:**  $\pm 0.2\%$  FS.

**Temperature Limits:**  $-40$  to  $185^{\circ}\text{F}$  ( $-40$  to  $85^{\circ}\text{C}$ ).

**Response Time:**  $< 100$  msec.

##### Enclosure

**Temperature Limits:**  $-40$  to  $212^{\circ}\text{F}$  ( $-40$  to  $100^{\circ}\text{C}$ ).

**Rating:** NEMA 4X (IP65).

**Material:** Painted aluminum housing.