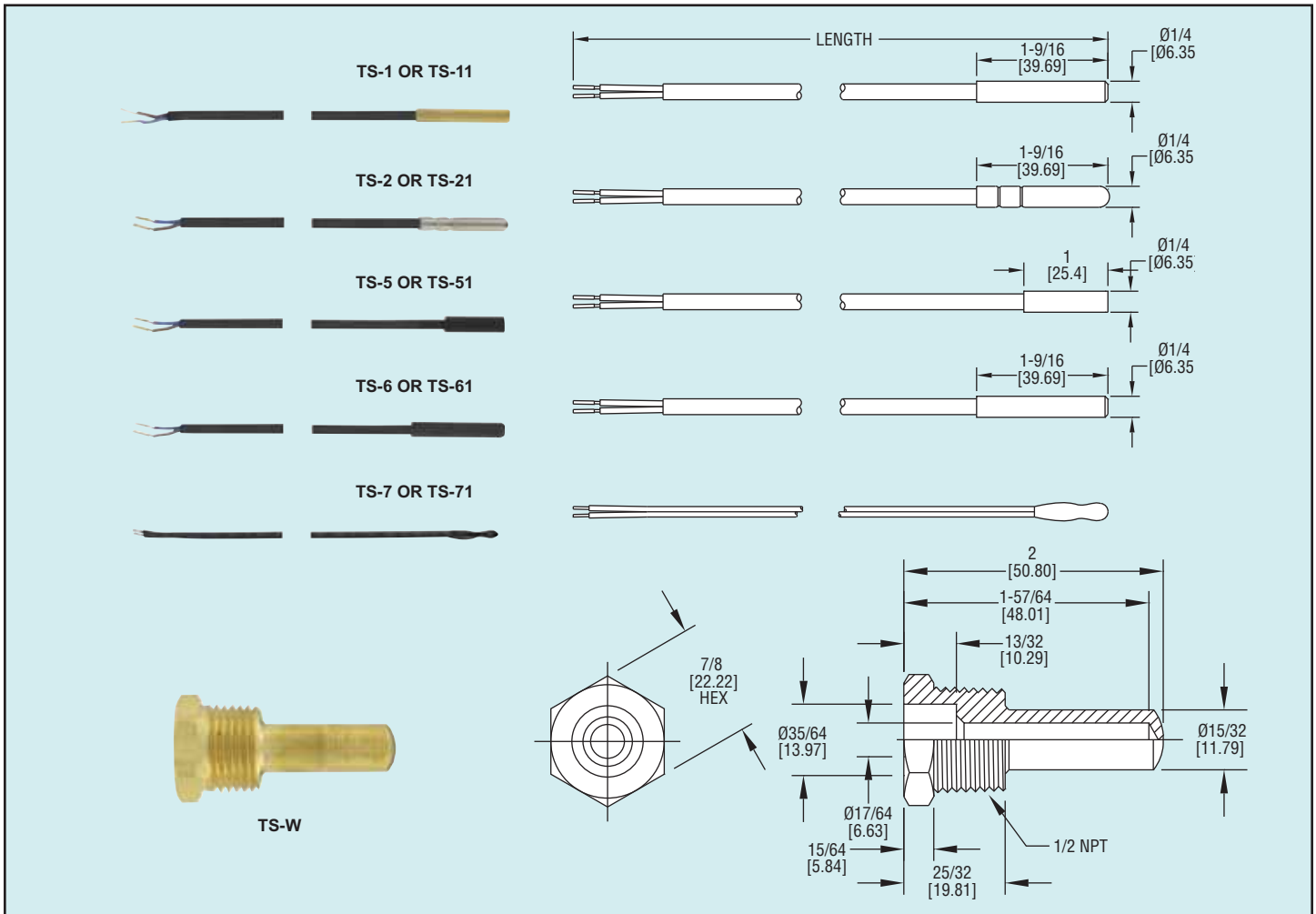




Digital Temperature Switch Probes

Probes to Be Used with TS, TS2, TSX, TSS2, and TSWB



Temperature

Model	Sensor	Cap Material	Length ft (m)
TS-1	PTC	Brass	5 (1.5)
TS-11	PTC	Brass	10 (3)
TS-2	PTC	Stainless Steel	5 (1.5)
TS-21	PTC	Stainless Steel	10 (3)
TS-5	PTC	PVC	5 (1.5)
TS-51	PTC	PVC	10 (3)
TS-6	PTC	Polyamide Resin Coated Brass	5 (1.5)
TS-61	PTC	Polyamide Resin Coated Brass	10 (3)
TS-7	NTC	None	5 (1.5)
TS-71	NTC	None	10 (3)

SPECIFICATIONS

Sensor: PTC or NTC (depending on model).

Operating Temperature:

TS-1, TS-2, TS-6: -58 to 302°F (-50 to 150°C)

TS-5, TS-7: -58 to 221°F (-50 to 105°C).

Accuracy: ±2°C at 25°C.

Response Time: 15 seconds (in air).

Cable: PVC or silicone (depending on model).

Protection: IP67.

ACCESSORIES

TS-W, Brass Thermowell

TS2-K, Configuration Key