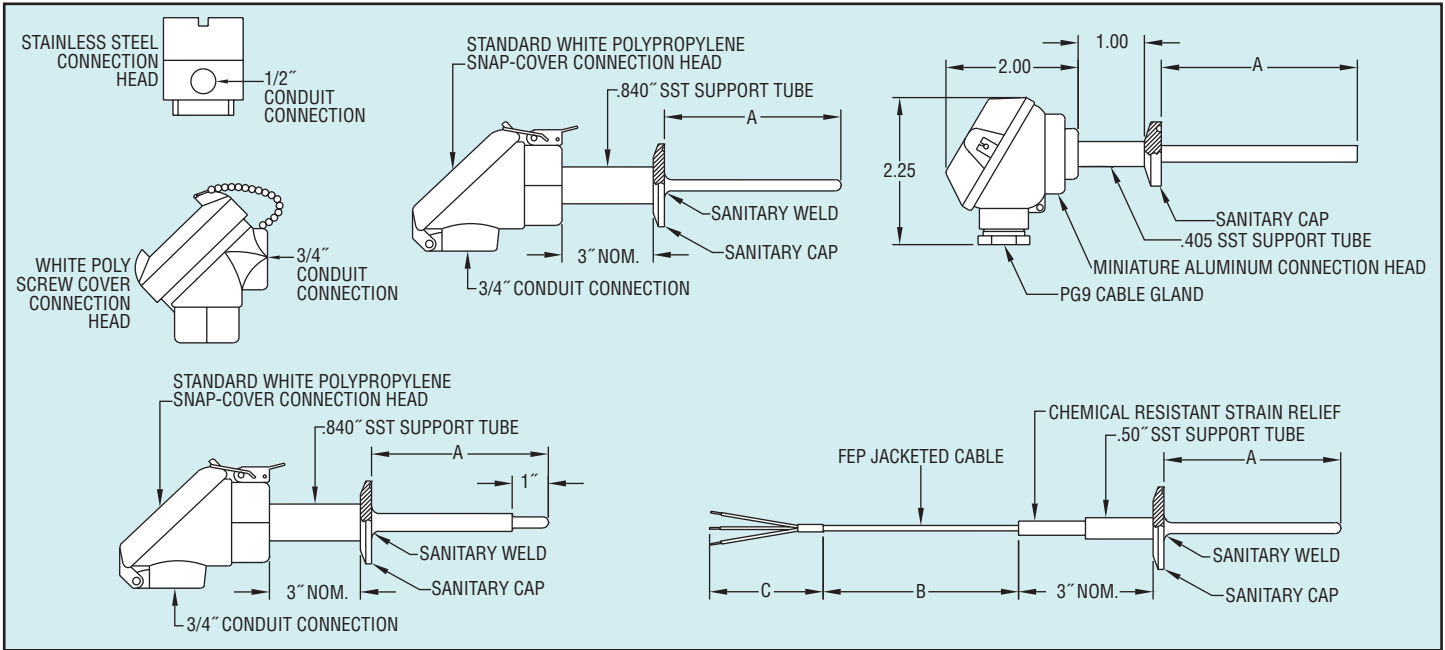




Series  
D

# Sensors for Sanitary Applications



16 AMP CLAMP CAP		
Size	O.D.	Thickness
1/2 or 3/4	1.00	.188
1	1.98	.25
1-1/2	1.98	.25
2	2.51	.25
2-1/2	3.03	.25
3	3.57	.25

16A BEVEL SEAT		
Size	O.D.	Thickness
1	1.31	.46
1-1/2	1.84	.56
2	2.37	.62
2-1/2	2.90	.66
3	3.43	.71

16APV APC		
Size	O.D.	Thickness
1	1.38	.29
1-1/2	1.88	.42
2	2.38	.46
2-1/2	2.88	.47
3	3.38	.50

16 AI-14I I-LINE		
Size	O.D.	Thickness
1	2	.50
1-1/2	2	.50
2	2.65	.56
2-1/2	3.12	.56
3	3.87	.75

TEMPERATURE

Temperature Sensors

### Model Coding:

