

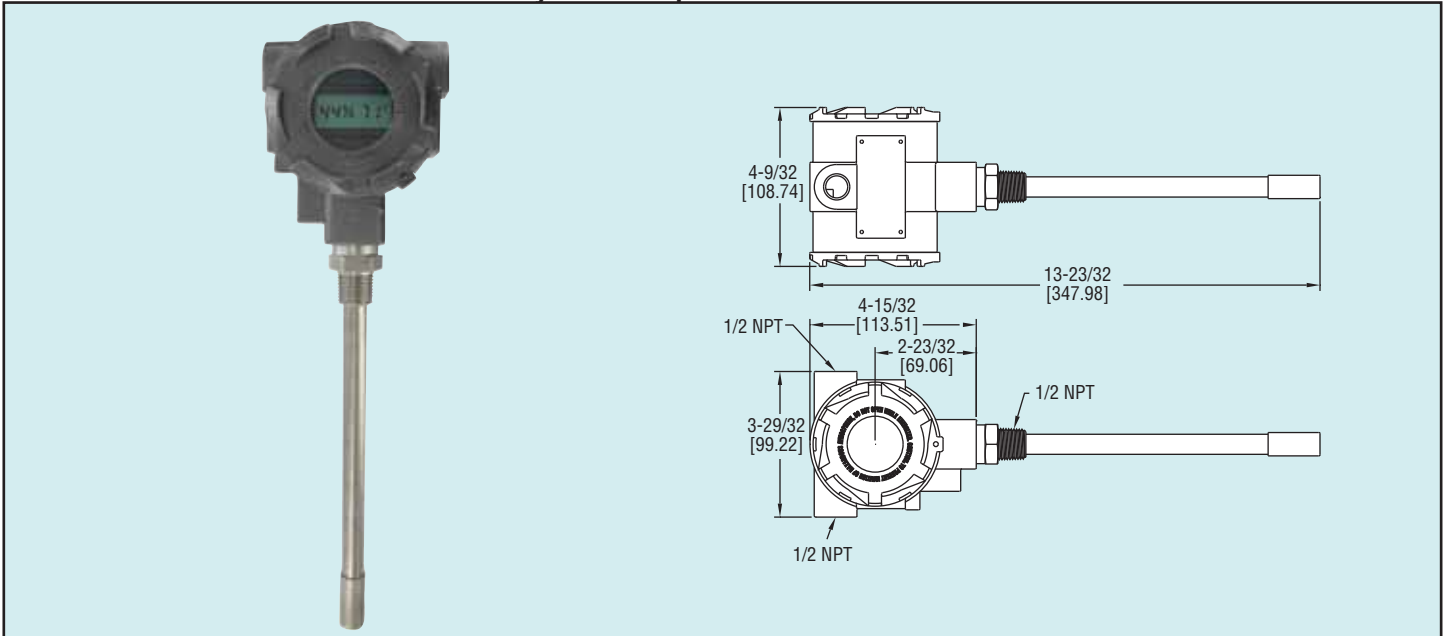
Series  
HHT

# Hazardous Area Humidity/ Temperature Transmitter

Intrinsically Safe or Explosion-Proof Models



New Products



The Series HHT Hazardous Area Humidity/Temperature Transmitter takes accurate measurements in the harshest of environments. The transmitter is offered in explosion-proof and intrinsically-safe versions depending on the application's requirements. The explosion-proof model is offered with 4 to 20 mA output for humidity only. The intrinsically-safe version is offered with 4 to 20 mA output for humidity and temperature. Both versions have an optional two line alphanumeric display to show the current humidity and temperature.

The Series HHT humidity/temperature transmitter is excellent for offshore HVAC applications, dust and grain applications. Intrinsically safe models require an intrinsically safe barrier.

Model	Protection	Description	Display
HHT-EU	Explosion-Proof	Humidity	No
HHT-IU	Intrinsically Safe	Humidity	No
HHT-IT	Intrinsically Safe	Humidity/Temperature	No
HHT-EU-LCD	Explosion-Proof	Humidity	Yes
HHT-IT-LCD	Intrinsically Safe	Humidity/Temperature	Yes

## ACCESSORIES

### Model KFD0-SCS-EX1.55,

Loop powered galvanic isolator

### Model A-287,

Mounting bracket for pipe or surface mounting  
(Includes bracket and two 2" U-bolts)

## SPECIFICATIONS

**Relative Humidity Range:** 0 to 100% RH.

**Temperature Range:** -40 to 140°F (-40 to 60°C).

**Accuracy:** ±2% 10-90% RH, ±0.9°F at 72°F (±0.3°C at 25°C).

**Hysteresis:** ±1%.

**Repeatability:** ±0.1% typical.

**Temperature Limits:** -40 to 140°F (-40 to 60°C).

**Storage Temperature:** -40 to 176°F (-40 to 80°C).

**Compensated Temperature:** -40 to 140°F (-40 to 60°C).

**Power Requirements:** For intrinsically safe models HHT-IX, 9.5 to 28 VDC. For explosion-proof models HHT-EX, 16.5 to 28 VDC.

**Output Signal:** 4-20 mA, 2 channels for humidity/temperature models (loop power on RH).

**Response Time:** 15 seconds.

**Electrical Connections:** Screw terminal block.

**Conduit Connection:** 1/2 female NPT.

**Drift:** <1% RH/year.

**RH Sensor:** Capacitance polymer.

**Temperature Sensor:** Solid state band gap.

**Housing Material:** Aluminum.

**Display:** Optional 2 line alpha numeric, 8 characters/line. Temperature display is °F/°C selectable.

**Display Resolution:** RH: 0.1%; Temperature 0.1°F (0.1°C).

**Weight:** 2 lb 8 oz (1134 g).

**Enclosure Rating:** NEMA 4X (IP66). Models HHT-EX: FM Explosion-Proof, Class I Div. 1 Group B, C, D, Class II Div. 1 Group E, F, G, Class III Div. 1; Models HHT-IX: FM Intrinsically Safe, Class I Div. 1 Group A, B, C, D, Class II Div. 1 Group E, F, G, Class III Div. 1 T4.

**Agency Approvals:** FM, CE.