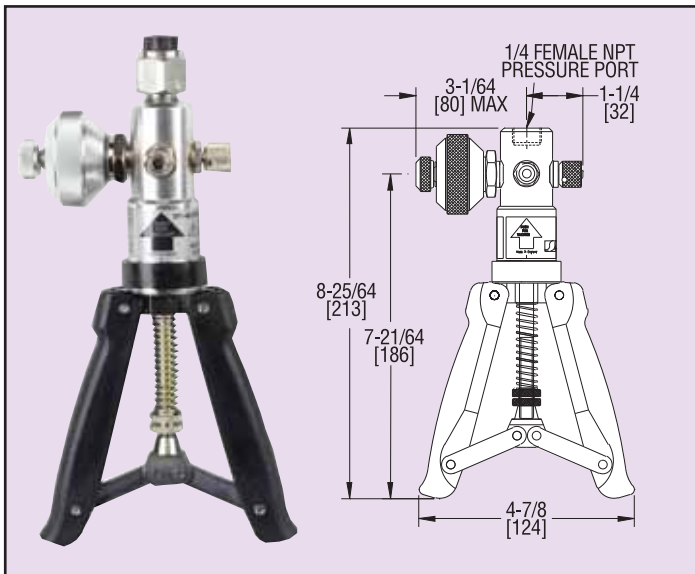




Model
PHP

Pneumatic Hand Pump

Generates Pressures up to 600 psi (40 bar), Portable



Model PHP-1 Pneumatic Hand Pump

Accessories

Model PHP-1K, Service Kit

Model PHP-1C, Hard Case

Verify calibration of pressure transmitters, switches, controllers, indicators, and recorders with Model PHP Pneumatic Hand Pump. The Model PHP is a hand operated pump for sourcing pressure and vacuum. Use in conjunction with an analog or digital gage for a complete calibration system.

The unit provides output pressures up to 600 psi (40 bar) or vacuum down to -28.5" Hg (-0.960 bar). The reliable pump reaches 100 psi in 4 strokes. Model PHP is fitted with a fine adjustment valve for precise volume control and an adjustable stroke to provide over pressure protection.

Model PHP includes a 39" (1 m) hose with a 1/4" female NPT quick fit connector. The optional service kit includes seals, O-rings, retaining screws and an allen key.

SPECIFICATIONS

Output Ranges: -28.5" Hg to 600 psi (-0.960 to 40 bar).

Process Connection: 1/4" female NPT (quick fit).

Gage Connection: 1/4" female NPT.

Materials: Nickel plated brass, anodized aluminum, and nylon.

Weight: 1.4 lb (0.65 kg).