

Actual material certificates and certificate of conformance supplied as standard to EN 10204:2004 3.1



Type 1032 Sanitary Pressure Gauge



FEATURES

- **PLUS!™ Performance** is available on 2½", 3½", 4½" gauges for liquid filled performance in a dry case gauge.
- **All-welded 316L SS Bourdon tube**
- **Welded 316L SS diaphragm and seal housing**
- **USP grade glycerin (99.5% pure, system fill) standard**
- **3A compliance to standard 74-04**
- **300 SS electropolished case and ring**
- **Electropolished diaphragm & housing**
- **Dry and liquid filled gauge versions⁽¹⁾**
- **Weatherproof and hermetically sealed versions**
- **External Easy Zero™ adjust standard on dry, liquid filled and PLUS!™ 3½" size**
- **Individual calibration certificates provided on request (XC4)**

Ashcroft® Type 1032 sanitary pressure gauges have specifically been designed to meet the need for sanitary-type pressure gauges in the pharmaceutical, bio-tech, filtration and food and dairy markets. With a quick-connect clamp and diaphragm surface finish that is electropolished to 12-20RA these instruments are also suitable for use in breweries, wineries and citrus juice production plants. Available in dial sizes from 2" thru 4½" and Tri-Clamp® type connections of ¼" thru 2," Ashcroft's selection of sanitary pressure gauges is unsurpassed.

To meet the needs of the markets served, 3½" 1032 sanitary gauges, with optional polysulfone window, can be autoclaved or sterilized to temperatures of 300°F (149°C) and can be cleaned or steamed in place. Ashcroft Type 1032 sanitary gauges with dial sizes of 2½" and 3½" are furnished standard with the patented PowerFlex™ movement. Since the PowerFlex movement is suspended from the Bourdon tube, it resists the adverse effects of pulsation and vibration, a primary cause for gauge failure.

SPECIFICATIONS

- Dial Size:** 2", 2½", 3½", 4½"
- Accuracy:** 2": 3% upscale, up to 5% downscale⁽²⁾
2½", 3½", 4½": 1.5% F.S. for pressure ranges 100 psi and above. 2.0% F.S. for vacuum compound and ranges below 100 psi.
- Case & Ring Material:** 300 SS electropolished
- Ring Type:** 2": Stainless steel, friction fit
2½", 3½", 4½": Bayonet, removable
- Bourdon Tube and Socket Material:** 316L SS
- Diaphragm Material & Surface Finish:** 316L SS, 12 to 20 RA electropolished
- Process Connection:**
2" dial size: ¾" Tri-Clamp only
2½", 3½" dial size: 1½" or 2" Tri-Clamp
4½" dial size: 2" Tri-Clamp only
- Connection Location:** 2": Lower
2½", 3½", 4½": Lower or back
- System Fill:** USP food grade glycerin standard. Other materials available
- Window Material:** 2": Glass
2½", 3½": Polycarbonate⁽³⁾
4½": Glass
- Pointer:** 2": Black-painted aluminum, non-adjustable
2½": Black-painted aluminum, adjustable
3½": Black-painted aluminum with ext. adjust
4½": Black-painted aluminum, adjustable
- Dial:** White with black markings with 3A mark
- Movement:** 2", 2½", 3½": 300 SS, 4½": 400 SS
- Agency Approvals:**
3A compliance to sanitary standard 74-04
- Ranges:** 2": 30# thru 600#, incl. vac/30 psi lowest
2½", 3½", 4½": 15# thru 1000#, including compound & vacuum
- Clean or Steam in Place:** (CIP or SIP): Process temperature limit of 280°F (138°C)
- Autoclave or Sterilize:** Ambient temp. limit of 300°F (149°C) when supplied with polysulfone window (3½" dry gauge only).

- (1) 2" 1032 not available liquid filled and not available in ranges below 30psi.
- (2) Gasket material and clamp torque tightness may effect gauge accuracy. We use a buna o-ring gasket and 25 inch pounds of clamp force when calibrating. Other gaskets could effect accuracy.
- (3) We recommend a polysulfone window for autoclave/ sterilization. Specify the XPS variation. Available in 3½" dry gauge only.
- Tri-Clamps are not included, Tri-Clamp® is a registered trademark of Alfa Laval Inc.

HOW TO ORDER (Typical Example)

Dial Size: 2" 2½", 3½", 4½" _____ 25 1032 S (L) 15 L X 100#

Type: 1032, 316L SS tube/socket _____

Diaphragm: 316L SS _____

Liquid-Filled Case (optional) _____

Process Connection: ¾" (75), 1½" (15), 2" (20) Tri-Clamp® _____

Connection Location: lower (L), back (B) _____

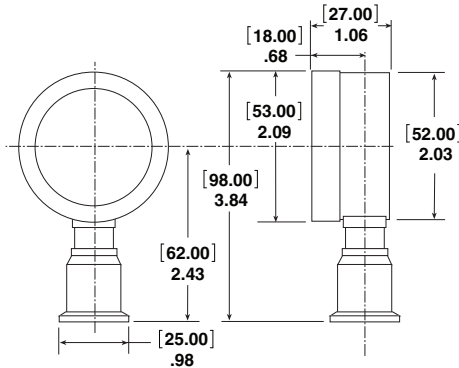
Optional Features _____

Pressure Range: 100 psi _____

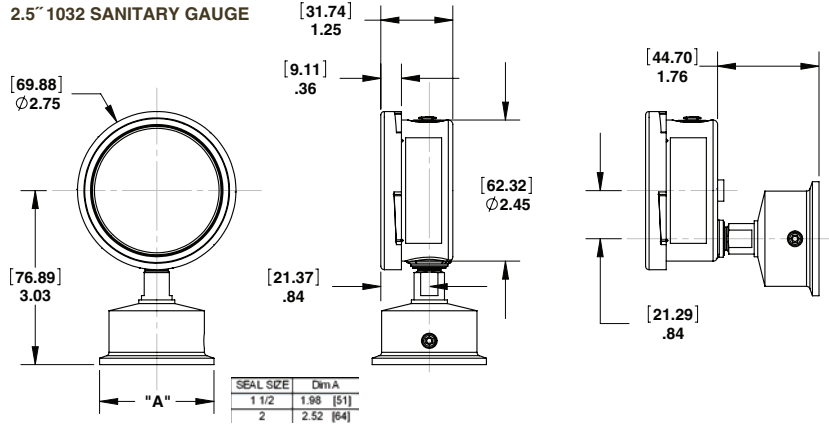
Type 1032 Sanitary Pressure Gauge

DIMENSIONS

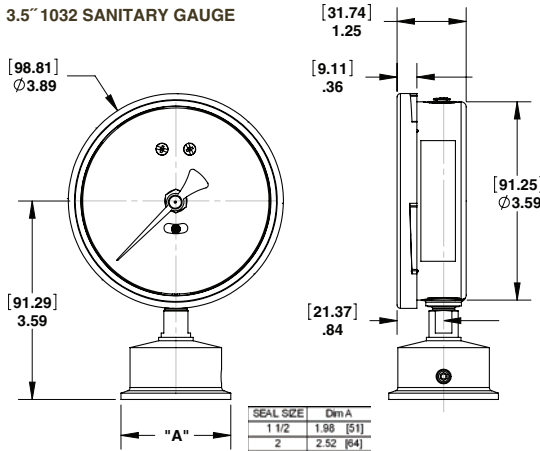
2.0" 1032 SANITARY GAUGE



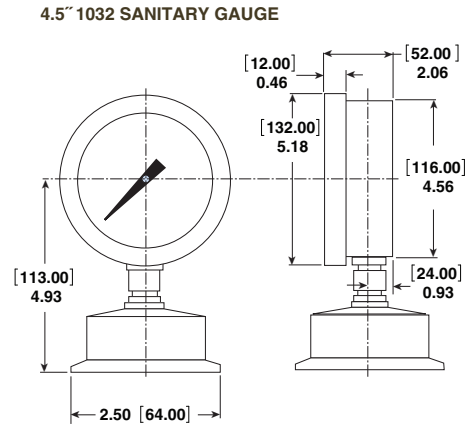
2.5" 1032 SANITARY GAUGE



3.5" 1032 SANITARY GAUGE



4.5" 1032 SANITARY GAUGE



STANDARD PRESSURE RANGES

| Pressure | | | | |
|------------------------------|-------------|-------------|---|-----|
| psi | Figure int. | Minor grad. | | |
| 0/15 ⁽¹⁾ | 1 | 0.2 | | |
| 0/30 | 5 | 0.5 | | |
| 0/60 | 5 | 1 | | |
| 0/100 | 10 | 1 | | |
| 0/160 | 20 | 2 | | |
| 0/200 | 20 | 2 | | |
| 0/300 | 30 | 5 | | |
| 0/400 | 50 | 5 | | |
| 0/600 | 50 | 10 | | |
| 0/800 | 100 | 10 | | |
| 0/1000 ⁽²⁾ | 100 | 10 | | |
| Compound | | | | |
| | Figure int. | Minor grad. | | |
| | in. Hg | psi | | |
| | in. Hg | psi | | |
| 30" Hg/15 psi ⁽¹⁾ | 5 | 3 | 1 | 0.5 |
| 30" Hg/30 psi | 10 | 5 | 1 | 1 |
| 30" Hg/60 psi | 10 | 10 | 2 | 1 |
| 30" Hg/100 psi | 10 | 10 | 2 | 1 |

(1) Not available on 2" 1032
 (2) Requires high pressure type clamp.

METRIC PRESSURE RANGES

| Pressure | | | | | | | |
|--------------------------------|----------|-----------------|------------------|--------------|-----------------|------------------|---------------------------|
| kg/cm ² | | Figure interval | Minor graduation | kPa | Figure interval | Minor graduation | psi |
| (kilograms per sq. centimeter) | bar | | | (kilopascal) | | | outer scale of dual range |
| 0/1 ⁽¹⁾ | 0/1 | 0.1 | 0.01 | 0/100 | 10 | 1 | 0/14 ⁽¹⁾ |
| 0/1.6 ⁽¹⁾ | 0/1.6 | 0.2 | 0.02 | 0/160 | 20 | 2 | 0/22 |
| 0/2.5 | 0/2.5 | 0.5 | 0.05 | 0/250 | 50 | 5 | 0/35 |
| 0/4 | 0/4 | 0.5 | 0.05 | 0/400 | 50 | 5 | 0/55 |
| 0/6 | 0/6 | 0.5 | 0.1 | 0/600 | 50 | 10 | 0/85 |
| 0/10 | 0/10 | 1 | 0.1 | 0/1000 | 100 | 10 | 0/140 |
| 0/16 | 0/16 | 2 | 0.2 | 0/1600 | 200 | 20 | 0/220 |
| 0/25 | 0/25 | 5 | 0.5 | 0/2500 | 500 | 50 | 0/350 |
| 0/40 | 0/40 | 5 | 0.5 | 0/4000 | 500 | 50 | 0/550 |
| 0/60 | 0/60 | 5 | 1 | 0/6000 | 500 | 100 | 0/850 |
| Vacuum | | | | | | | |
| -1/0 ⁽¹⁾ | -1/0 | 0.1 | 0.01 | -100/0 | 10 | 1 | 30" Hg |
| Compound | | | | | | | |
| -1/0/1.5 ⁽¹⁾ | -1/0/1.5 | 0.05 | 0.05 | -100/0/150 | 50 | 5 | 30" Hg/0/20 |
| -1/0/3 | -1/0/3 | 0.05 | 0.05 | -100/0/300 | 50 | 5 | 30" Hg/0/40 |
| -1/0/5 | -1/0/5 | 0.5 | 0.1 | -100/0/500 | 50 | 10 | 30" Hg/0/70 |
| -1/0/9 | -1/0/9 | 1 | 0.1 | -100/0/900 | 100 | 10 | 30" Hg/0/125 |